

NACDL Forensic Seminar

2025

(As of 12/1/24)

DNA Mavens LLC (<i>Expert Testimony/Forensic DNA Expert</i>)	#9
Envista Forensics (<i>Expert Testimony</i>)	#20
ESi (<i>Forensic Engineering & Consulting/Expert Testimony</i>)	#11
Fat Pencil Studio (<i>Expert Testimony/3D Scene Reconstruction & Video Enhancement</i>)	#8
Garrett Discovery, Inc. (<i>Expert Testimony/Digital Forensics</i>)	#4+5
Godoy Medical Forensics (<i>Expert Testimony & Medical Expert Witness Services</i>)	#7
Metadata Forensics (<i>Expert Testimony/Digital Forensics</i>)	#1+2
RizeUp Media (<i>Marketing & Software/Website Development</i>)	#6
Second Look Training Forensic Consulting (<i>Expert Testimony & Case Consultation</i>)	#3
Veriscene Forensics (<i>Expert Testimony/Digital Forensic Training & Consulting</i>)	#23
ZK Services (<i>Expert Testimony/Cell Phone Forensics</i>)	#11

**PLEASE SEE THE FOLLOWING
PAGE/FLOOR PLAN**

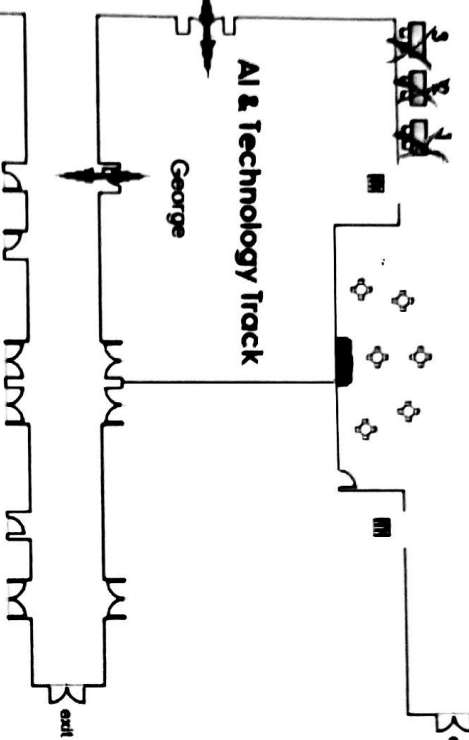
General Session

Congo I Congo II Congo III Congo IV



AI & Technology Track

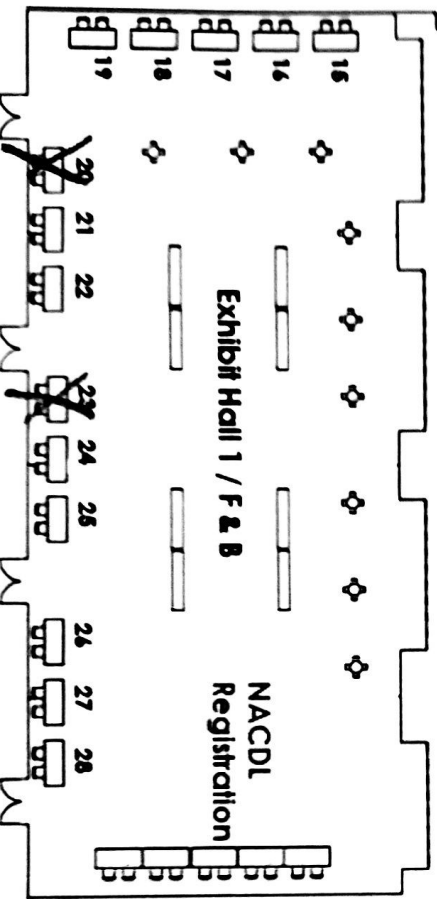
George






W I N D O W S

Exhibit Hall 1 / F & B

**NACDL
Registration**



Booth Size Color Chart

-  = 6 ft. table / 8 Ft. max width
-  = 8 ft. table / 10 Ft. max width
-  = 10 ft. table / 12 Ft. max width



Hotel Lobby